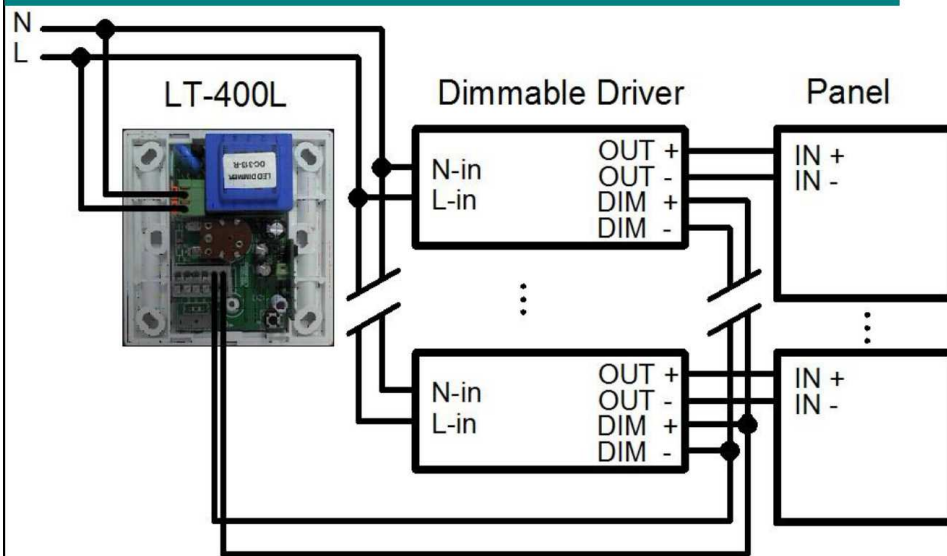


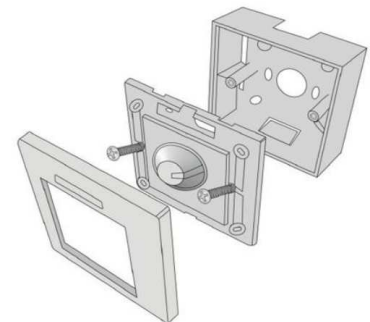
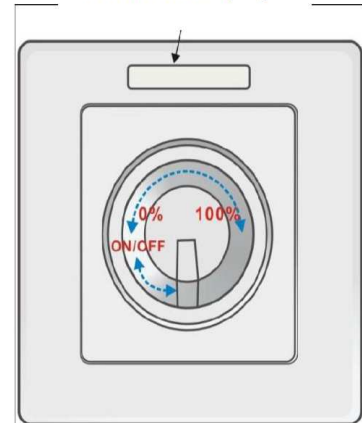
Suitable for all LK® LED panels with dimmable drivers (total power maximum 800W)

Part No.:	Controller: LT-400L	
Working Voltage	AC180~260V	
Frequency	50Hz/60Hz	
Power Consumption	<1W	
Control capacity	800W or more	
Light adjustable range	adjust light by knob	0~100%
	adjust light by remote	0~100% or 25%/50%/75%/100% (M key)
Deminsion	87mm*87mm	
Weight	206g	

Wire Connection



Noctilucnt Display



Part No.:	Controller: LT-400L-RF
Input Voltage	12V /27A battery
Modulation System	ASK
Frequency	315Mhz
Remote Distance	2030m
Deminsion	84mm*30mm*11mm
Installation	with HOLDER size of 87mm*63mm*10mm

